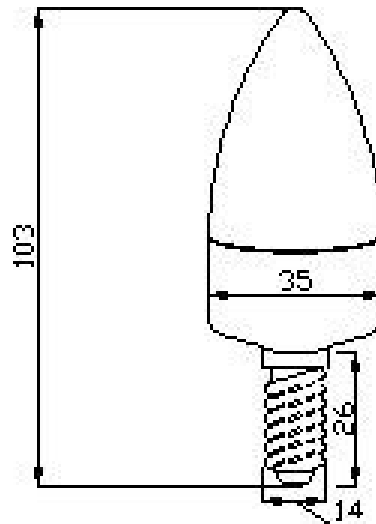


Specification

Product: LED E14CL1 SPOTLIGHT; Model: E14CL1-18DW-AC220V

Product design diagram

Unit: mm



Product data

LED: 18 pcs.; Light color: Daylight White

Item	Rating	Unit
Operating voltage	AC220	V
Operating frequency	50~60	Hz
Operating temperature	-25 ~ +85	°C
Storage temperature	-30 ~ +85	°C
Parameter	Range	Unit
Current per LED	15	mA
Total current	18	mA
Total power	1000	mW
Surface illumination	2000	lux
Luminous flux	6,6	lm
Color temperature	4500-5500	K
LED luminous intensity	700~1000	mcd
LED's viewing angle	100~120	deg
Estimated useful life	50000	hours